

MEC

CUTTING SYSTEM



TECHNICAL PARAMETER

Model.NO	MEC-1325
Work area	1300*2500mm
Occupied space	3600*3600mm
Total Spindle Power	3.7kw、40000rpm/min
Vibration frequency of EOT	18000rpm/min
Vacuum pump power	7.5kw
Max processing Speed	72m/min

Repeat position accuracy	±0.05
Moving axis qty.	5Axis
Servo motor qty.	5pcs
Capacity	AC380V/50Hz
Overall dimension	2300*3200*1750mm
Weight	1.5T
File Formats Supported	AI/EPS/PDF/DXF/PLT/JPG/TIF

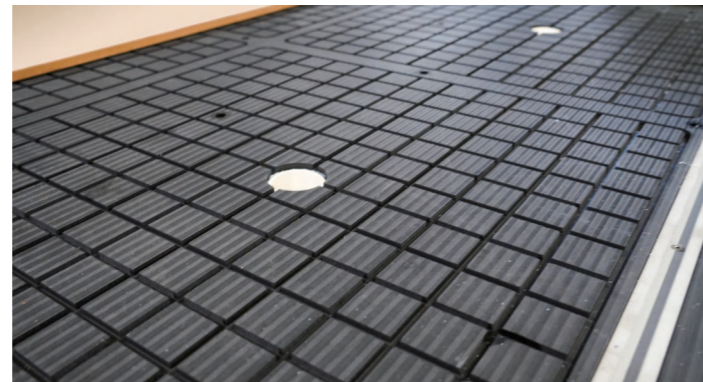


GUIDEWAY

The stainless steel cage ensures that the steel balls do not fall when the slider is running, extending the service life of the slider.
 Sealing sheet design: The sealing sheets at both ends of the slider have undergone special dust-proof treatment, which reflects the dust-proof advantage in (woodworking and optical fiber industries)

VACUUM PUMP

The air pump motor has F-class insulation and national standard power, the copper wire has a temperature resistance of 150 degrees and is cold-rolled 800 silicon steel. The bearings are made of NSK, and the seals are made of fluorine rubber, which is more resistant to high temperatures.



DELTA SERVO SYSTEM

It has multiple control functions such as pulse bus, easy to install quickly, strong and durable variable load control capabilities, and convenient and practical motion control functions, bringing an efficient and smooth operating environment to the equipment and optimizing the production efficiency and output value of the equipment.

INDUSTRIAL PVC COUNTERTOP

Adopting industrial PVC board: strong, weather-resistant, high flatness, not easy to be deformed under strong load, and the internal honeycomb structure for smooth air circulation. Optional zoned suction, super strong wind, strong suction.

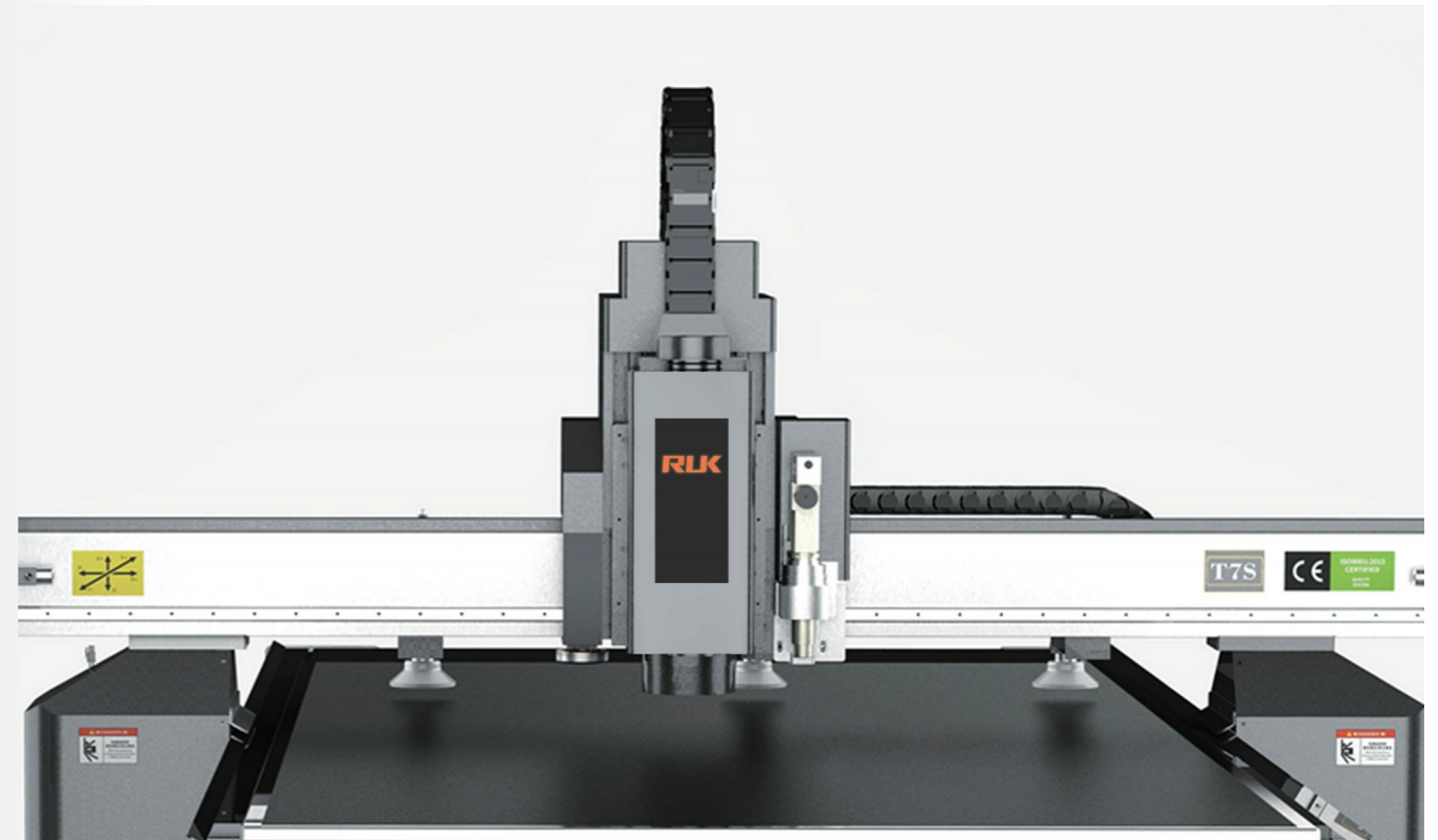
1 One-click typesetting of incoming pictures, and layout of multiple pictures, saving time and materials

2 Extract special-shaped contours with one click without unnecessary operations

3 Compatible recognition of multiple MARK points, intelligent generation of MARK and QR codes

PROFESSIONAL VERSION INTELLIGENT CUTTING OPERATING SYSTEM

RUK image assist is an image typesetting and contour extraction software launched by Ningbo RELISH Electrical Technology Co., LTD



AVIATION ALUMINUM GANTRY

Using high-quality aviation aluminum materials, one-piece extrusion process; the finished beam has high strength and good mechanical properties; the extruded aluminum has small internal stress and is not easy to deform after long-term use. It also has high precision, light weight and good dynamic response.

APPLICABLE INDUSTRIES AND MATERIALS



NEON BILLBOARD



ACRYLIC CRYSTAL LETTERING



DOOR NUMBER



PVC LETTERING

- **Advertising industry:** acrylic cutting, density board cutting, two-color board engraving, all kinds of advertising boards, signage production.
- **Furniture industry:** cutting and engraving of cabinet doors, wooden doors, solid wood, mahogany furniture, antique furniture and various composite boards.
- **Plate processing industry:** insulating parts, plastic chemical parts, PCB, antibiotic plates, epoxy resins, ABS, PP, PE and other carbon-mixed compounds.
- **Crafts industry:** can be used in artificial stone, PVC, wood, bamboo, marble, organic glass, copper and aluminum, etc.
- **Decoration industry:** Carving various exquisite patterns and text on screens, corrugated boards, bamboo, marble, organic boards, two-color boards and other materials.